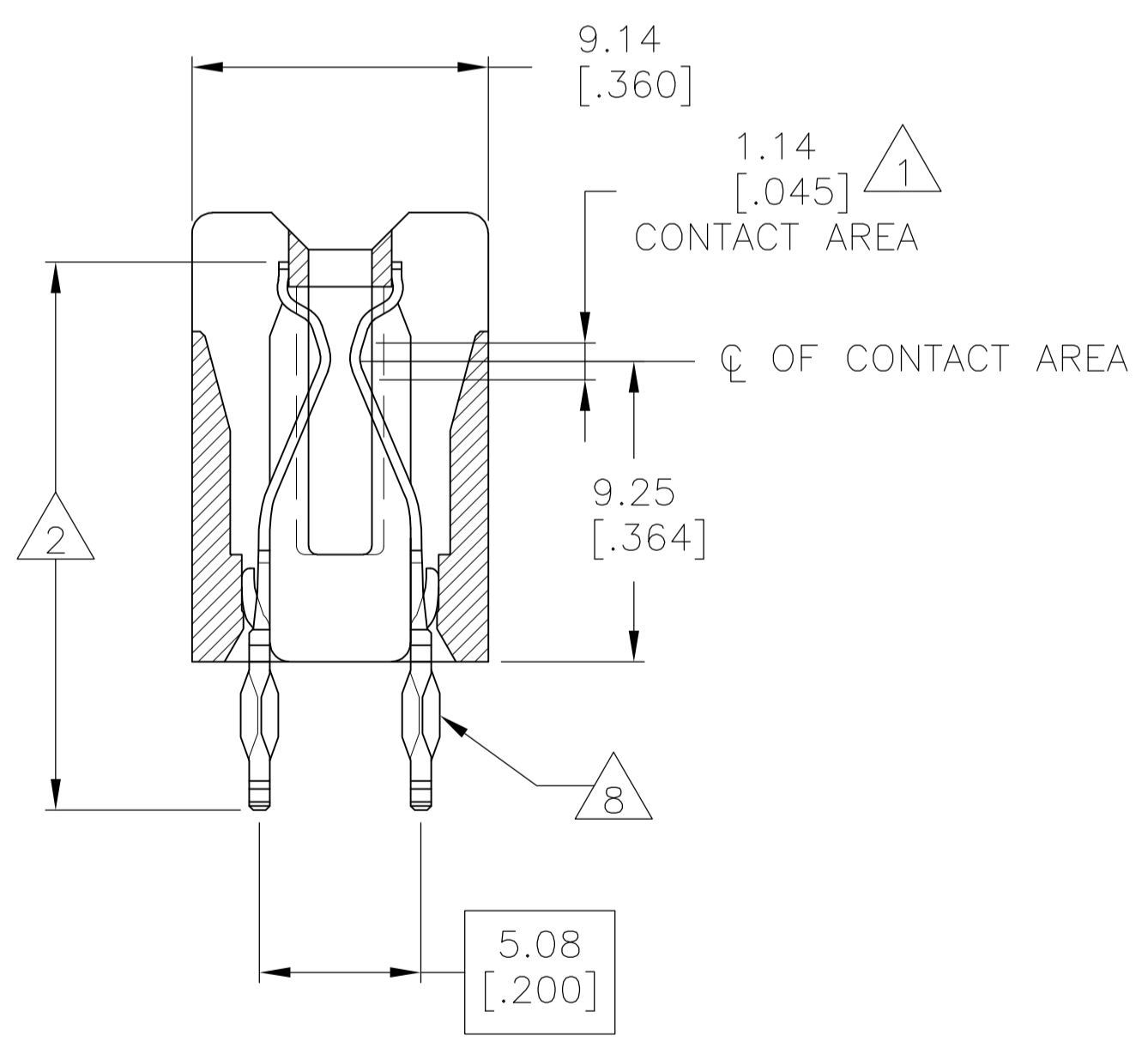
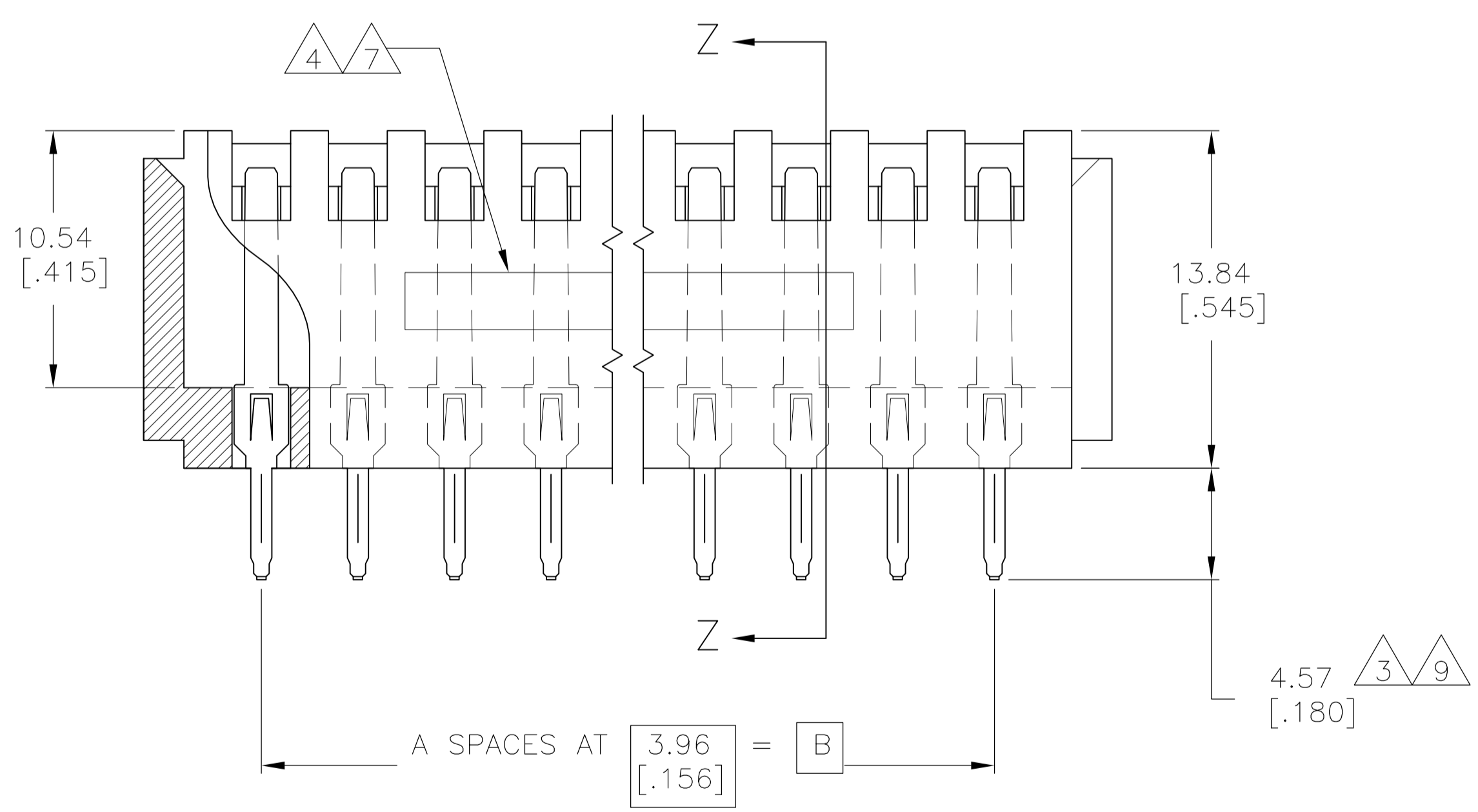
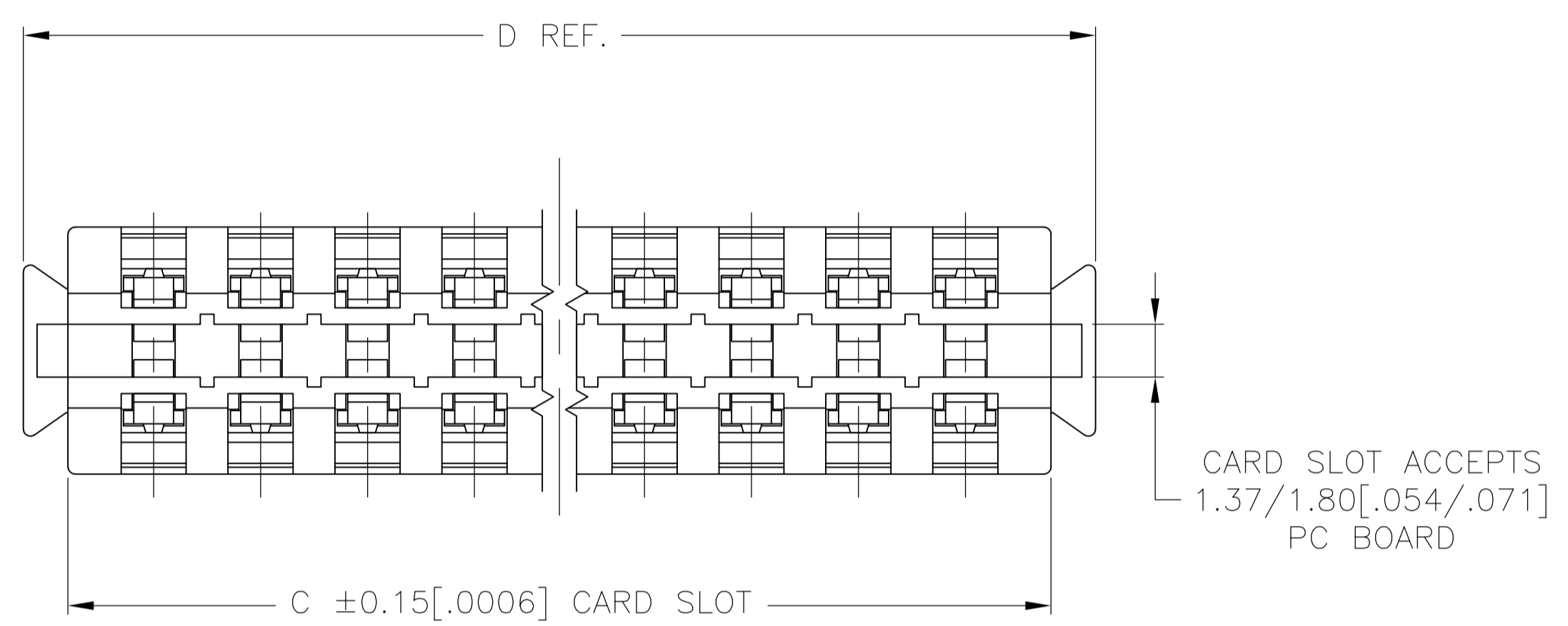


LOC		DIST		REVISIONS			
AD	00	P	LTR	DESCRIPTION	DATE	DMN	APVD
		H		REVISED PER EC 0G3C-0205-05	27FEB06	SSK	MM
		H1		REVISED PER ECO-09-021826	02SEP09	KK	AEG

- 1 GOLD PLATE .00076 [.000030] MIN. THICK.
- 2 NICKEL PL. .00127[.000050] MIN. THK. PER QQ-N-290
- 3 SOLDER PL. .00254[.000100] MIN. THK.
- 4 STAMPED P/N & DATE CODE.
- 5. OPTIONAL: KEYING PLUG FOR INTERCONTACT KEYING IS 118982-1
- 6. OPTIONAL: CARD GUIDE (BASE NO 117169)
- 7 ALL PARTS ASSEMBLED IN MEXICO MUST BE STAMPED "ASSY IN MEXICO". THE WORD "MEXICO" CAN BE SUBSTITUTED ONLY WHERE PART SIZE PROHIBITS STAMPING "ASSY IN MEXICO", INK COLOR WHITE PER 115-9009, APPROX WHERE SHOWN, SIDE OPTIONAL.
- 8 ACTION PIN REQUIRES 2.13[.084] MIN. THK. PC BOARD.

REQ'D DRILL SIZE	HOLE DIA ±.03[.001]	PLATING THICKNESS		HOLE DIAMETER		COPPER HARDNESS (KNOOP)	PAD DIA MIN.
		COPPER	TIN/LEAD	AFTER PLATING	AFTER REFLOW		
1.15mm	1.15 [.0453]	0.03-0.08 [.001-.003]	0.008 MIN. [.0003] MIN.	0.94-1.09 [.037-.043]	0.914-1.09 [.0036-.043]	150 MAX	1.57 [.062]
1.15mm	1.15 [.0453]	NOT PLATED THRU					1.65 [.065]

- 9 MATTE TIN PL. .00254[.000100] MIN. THK.
- 10 OBSOLETE PARTS: OBSOLETE CIS STREAMLINING PER D.RENAUD/D.SINISI



9 10	OBSOLETE	177.65 [6.994]	174.35 [6.864]	166.42 [6.552]	42	43	7-119790-9
9	118.21 [4.654]	114.91 [4.524]	106.98 [4.212]	27	28	6-119790-4	
9 10	94.44 [3.718]	91.13 [3.588]	83.21 [3.276]	21	22	5-119790-8	
9 10	OBSOLETE	66.70 [2.626]	63.40 [2.496]	55.47 [2.184]	14	15	5-119790-1
		177.65 [6.994]	174.35 [6.864]	166.42 [6.552]	42	43	2-119790-9
							2-119790-8
	OBSOLETE						2-119790-7
							2-119790-6
							2-119790-5
							2-119790-4
							2-119790-3
	OBSOLETE	149.91 [5.702]	146.61 [5.772]	138.68 [5.468]	35	36	2-119790-2
							2-119790-1
							1-119790-9
							1-119790-8
							1-119790-7
							1-119790-6
							1-119790-5
		118.21 [4.654]	114.91 [4.524]	106.98 [4.212]	27	28	1-119790-4
	OBSOLETE	114.25 [4.498]	110.95 [4.368]	103.02 [4.056]	26	27	1-119790-3
							1-119790-2
							1-119790-1
	OBSOLETE	102.36 [4.030]	99.06 [3.900]	91.13 [3.588]	23	24	1-119790-0
							119790-9
		94.44 [3.718]	91.13 [3.588]	83.21 [3.276]	21	22	119790-8
							119790-7
							119790-6
							119790-5
	OBSOLETE						119790-4
							119790-3
							119790-2
10	OBSOLETE	66.70 [2.626]	63.40 [2.496]	55.47 [2.184]	14	15	119790-1

THIS DRAWING IS A CONTROLLED DOCUMENT. DIMENSIONS: mm [INCHES]. TOLERANCES UNLESS OTHERWISE SPECIFIED: 0 PLC ± -, 1 PLC ± -, 2 PLC ± -, 3 PLC ± 0.25[.010], 4 PLC ± -, ANGLES ± -.

APPROVED: R.L. LEHR 10-FEB-93, H. ROSE 7/8/94. Tyco Electronics Corporation, Harrisburg, Pa 17105-3608. CONNECTOR, AMP PACE .156 X .200.

SIZE: A1, CAGE CODE: 00779, DRAWING NO: 119790, WEIGHT: -. RESTRICTED TO: CUSTOMER DRAWING. SCALE: 4:1, SHEET: 1 OF 1, REV: H1.